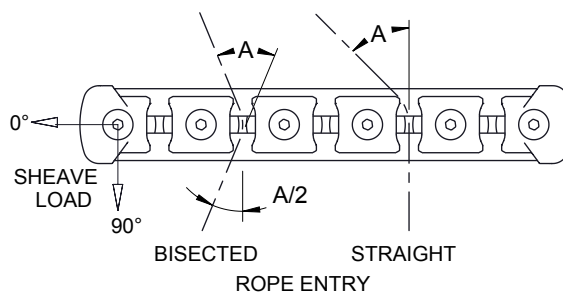


MAXIMUM SHEAVE LOADS:

LONGITUDINAL (0°)	1500kg
TRANSVERSE (90°)	1050kg
COMBINED	1500kg

MAX ROPE TENSION (kg)

DEFLECTION ANGLE 'A' (°)	BISECTED ENTRY	STRAIGHT ENTRY
15	9580	9410
30	4830	4510
45	3270	2820
60	2500	1960
90	1770	1240



SHEAVE SPACING:

STANDARD SHEAVE SPACING SHOWN.
CUSTOM SPACING AVAILABLE IN 1.0MM INCREMENTS.

WEIGHT:

319g (INCLUDING FULL LENGTH STAINLESS STEEL DECK FIXINGS)
TITANIUM OPTION AVAILABLE (215g) - CONTACT SPINLOCK FOR MORE INFORMATION.

INSTALLATION:

MOUNTING SURFACE MUST BE SUFFICIENTLY STRONG AND STIFF TO WITHSTAND COMPRESSIVE AND SHEAR FORCES EXERTED BY SHEAVE LOADING

spinlock
BE ADVENTURE-PROOF



WARNING:
IF USING AS TEMPLATE, ENSURE PRINTER SETTINGS ARE ADJUSTED TO ACCOUNT FOR THE DRAWING SCALE AND **ALWAYS** CHECK DIMENSIONS.



COPYRIGHT:
THIS DRAWING IS PROTECTED BY COPYRIGHT. ANY USE IS FORBIDDEN WITHOUT THE WRITTEN CONSENT OF SPINLOCK.

ALL DIMENSIONS IN MM

SCALE

1:2

PAGE SIZE
(297 x 210)

A4

DATE:

OCT17

LINE SIZE:

Ø13 MAX

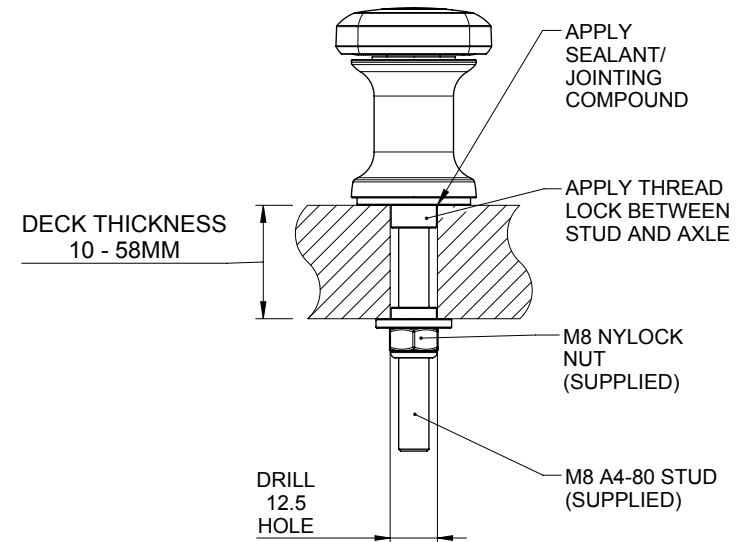
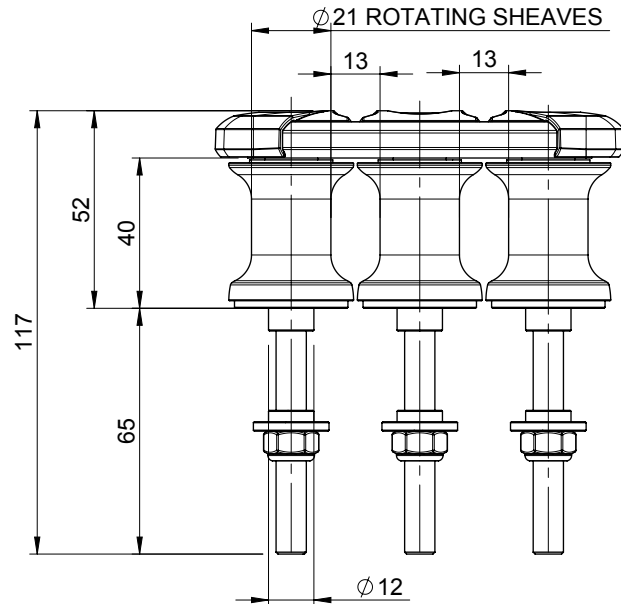
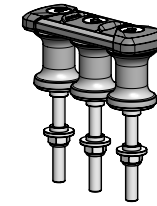
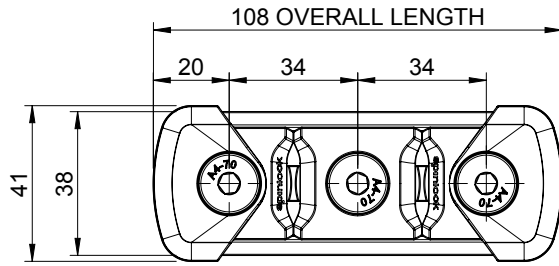
FASTENERS:

2 x M8

MAX LOAD:

SEE TABLE

TSR20/2

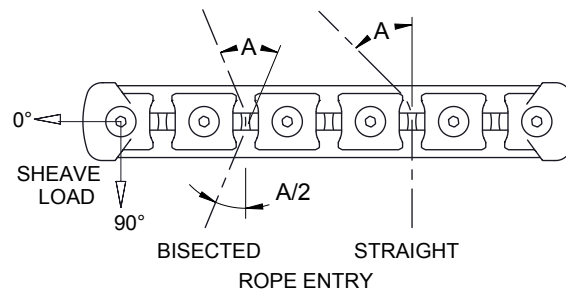


MAXIMUM SHEAVE LOADS:

LONGITUDINAL (0°)	1500kg
TRANSVERSE (90°)	1050kg
COMBINED	2250kg

MAX ROPE TENSION (kg)

DEFLECTION ANGLE 'A' (°)	BISECTED ENTRY	STRAIGHT ENTRY
15	5750	5650
30	2900	2710
45	1960	1690
60	1500	1180
90	1060	740



SHEAVE SPACING:

STANDARD SHEAVE SPACING SHOWN.
CUSTOM SPACING AVAILABLE IN 1.0MM INCREMENTS.

WEIGHT:

478g (INCLUDING FULL LENGTH STAINLESS STEEL DECK FIXINGS)
TITANIUM OPTION AVAILABLE (322g) - CONTACT SPINLOCK FOR MORE INFORMATION.

INSTALLATION:

MOUNTING SURFACE MUST BE SUFFICIENTLY STRONG AND STIFF TO WITHSTAND COMPRESSIVE AND SHEAR FORCES EXERTED BY SHEAVE LOADING

spinlock
BE ADVENTURE-PROOF



WARNING:
IF USING AS TEMPLATE, ENSURE PRINTER SETTINGS ARE ADJUSTED TO ACCOUNT FOR THE DRAWING SCALE AND **ALWAYS** CHECK DIMENSIONS.



COPYRIGHT:
THIS DRAWING IS PROTECTED BY COPYRIGHT. ANY USE IS FORBIDDEN WITHOUT THE WRITTEN CONSENT OF SPINLOCK.

ALL DIMENSIONS IN MM

SCALE

1:2

PAGE SIZE
(297 x 210)

A4

DATE:

OCT17

LINE SIZE:

Ø15 MAX

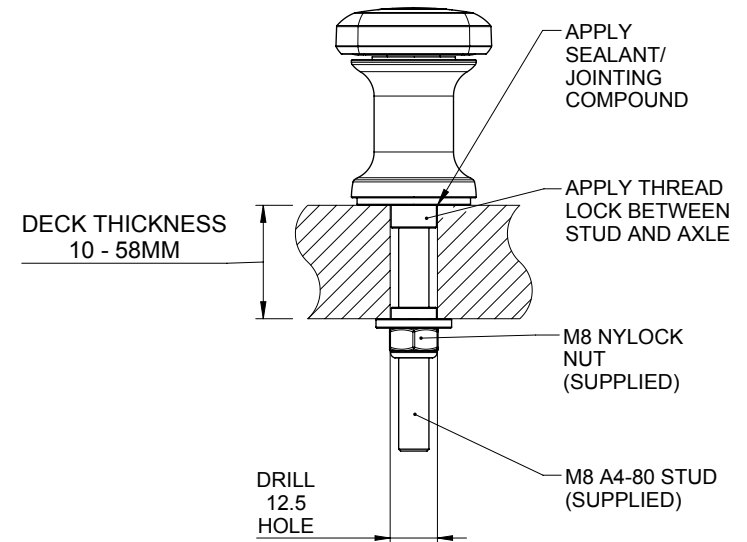
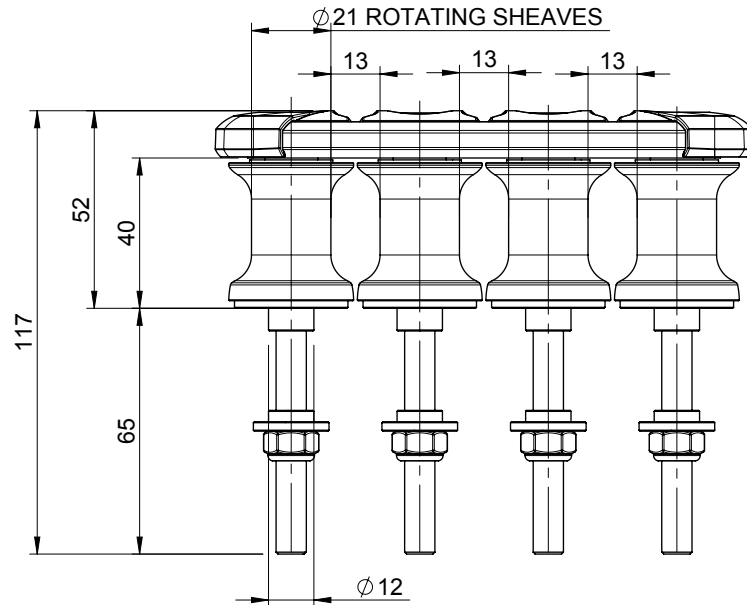
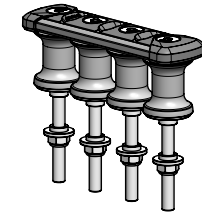
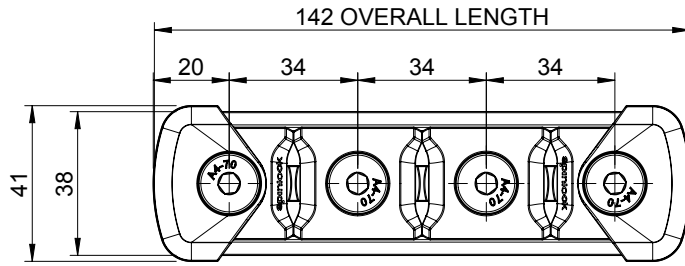
FASTENERS:

3 x M8

MAX LOAD:

SEE TABLE

TSR20/3

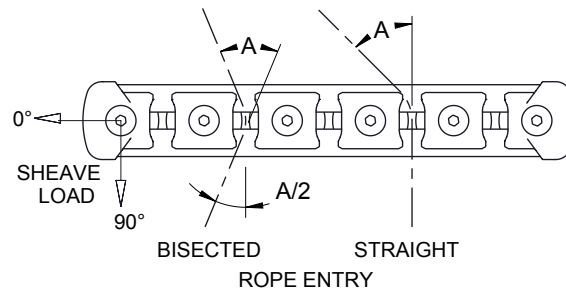


MAXIMUM SHEAVE LOADS:

LONGITUDINAL (0°)	1500kg
TRANSVERSE (90°)	1050kg
COMBINED	3000kg

MAX ROPE TENSION (kg)

DEFLECTION ANGLE 'A' (°)	BISECTED ENTRY	STRAIGHT ENTRY
15	5750	5650
30	2900	2710
45	1960	1690
60	1500	1180
90	1060	740



SHEAVE SPACING:

STANDARD SHEAVE SPACING SHOWN.
CUSTOM SPACING AVAILABLE IN 1.0MM INCREMENTS.

WEIGHT:

637g (INCLUDING FULL LENGTH STAINLESS STEEL DECK FIXINGS)
TITANIUM OPTION AVAILABLE (429g) - CONTACT SPINLOCK FOR MORE INFORMATION.

INSTALLATION:

MOUNTING SURFACE MUST BE SUFFICIENTLY STRONG AND STIFF TO WITHSTAND COMPRESSIVE AND SHEAR FORCES EXERTED BY SHEAVE LOADING

spinlock
BE ADVENTURE-PROOF



WARNING:
IF USING AS TEMPLATE, ENSURE PRINTER SETTINGS ARE ADJUSTED TO ACCOUNT FOR THE DRAWING SCALE AND **ALWAYS** CHECK DIMENSIONS.



COPYRIGHT:
THIS DRAWING IS PROTECTED BY COPYRIGHT. ANY USE IS FORBIDDEN WITHOUT THE WRITTEN CONSENT OF SPINLOCK.

ALL DIMENSIONS IN MM

SCALE

1:2

PAGE SIZE
(297 x 210)

A4

DATE:

OCT17

LINE SIZE:

Ø15 MAX

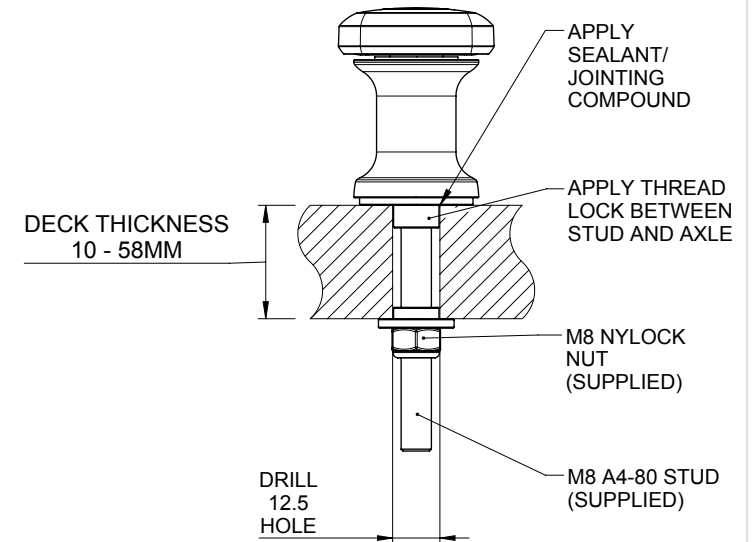
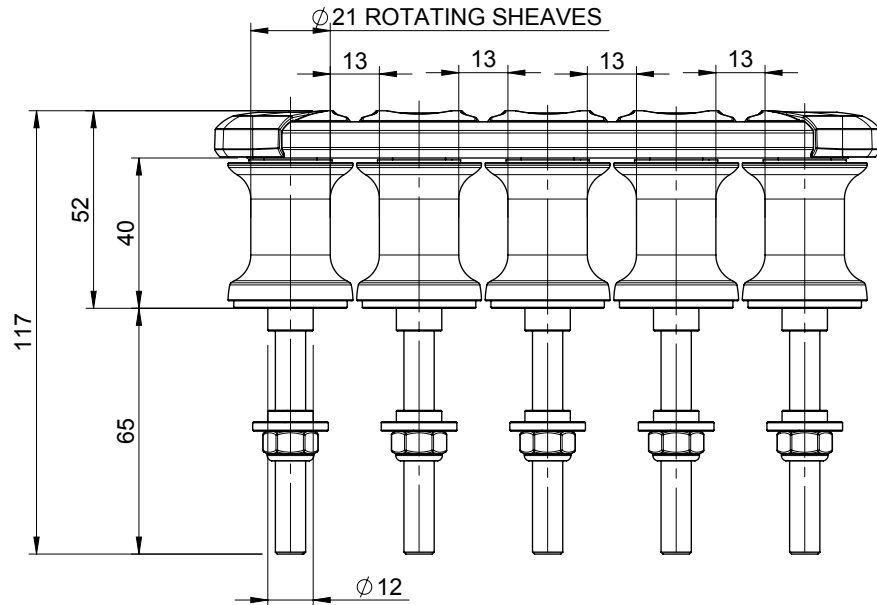
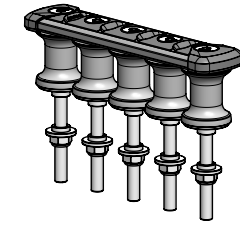
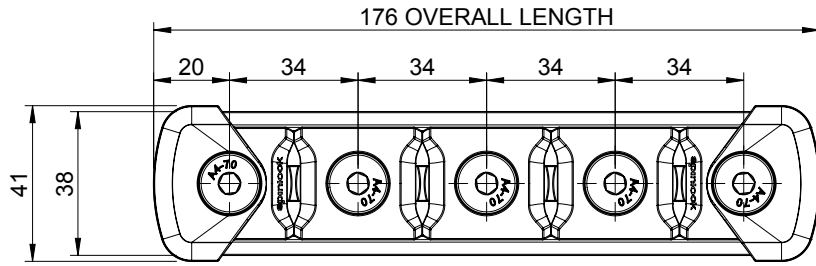
FASTENERS:

4 x M8

MAX LOAD:

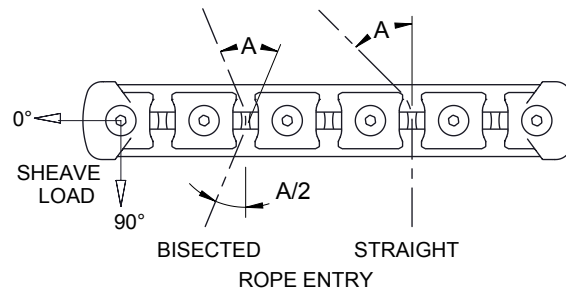
SEE TABLE

TSR20/4



MAXIMUM SHEAVE LOADS:
 LONGITUDINAL (0°) 1500kg
 TRANSVERSE (90°) 1050kg
 COMBINED 3750kg

MAX ROPE TENSION (kg)		
DEFLECTION	BISECTED ENTRY	STRAIGHT ENTRY
ANGLE 'A' (°)		
15	5750	5650
30	2900	2710
45	1960	1690
60	1500	1180
90	1060	740



SHEAVE SPACING:
 STANDARD SHEAVE SPACING SHOWN.
 CUSTOM SPACING AVAILABLE IN 1.0MM INCREMENTS.

WEIGHT:
 796g (INCLUDING FULL LENGTH STAINLESS STEEL DECK FIXINGS)
 TITANIUM OPTION AVAILABLE (537g) - CONTACT SPINLOCK FOR MORE INFORMATION.

INSTALLATION:
 MOUNTING SURFACE MUST BE SUFFICIENTLY STRONG AND STIFF TO WITHSTAND COMPRESSIVE AND SHEAR FORCES EXERTED BY SHEAVE LOADING

spinlock
 BE ADVENTURE-PROOF



WARNING:
 IF USING AS TEMPLATE, ENSURE PRINTER SETTINGS ARE ADJUSTED TO ACCOUNT FOR THE DRAWING SCALE AND **ALWAYS** CHECK DIMENSIONS.



COPYRIGHT:
 THIS DRAWING IS PROTECTED BY COPYRIGHT. ANY USE IS FORBIDDEN WITHOUT THE WRITTEN CONSENT OF SPINLOCK.

ALL DIMENSIONS IN MM

SCALE

1:2

PAGE SIZE
 (297 x 210)

A4

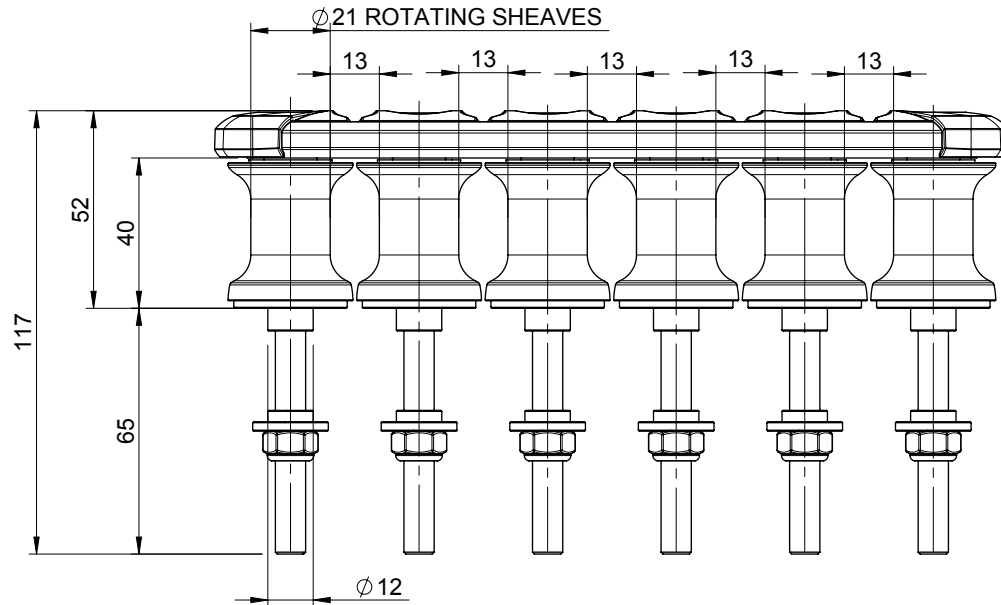
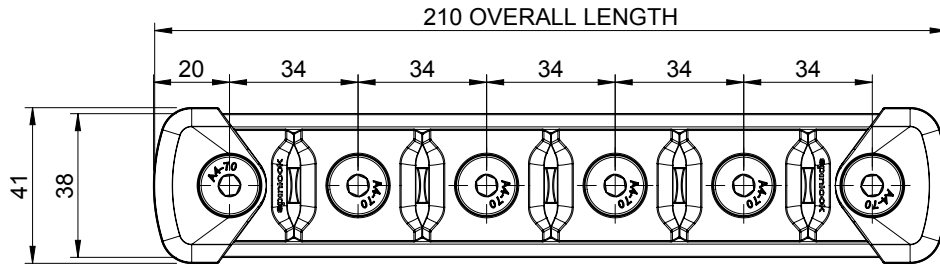
DATE: OCT17

LINE SIZE: Ø15 MAX

FASTENERS: 5 x M8

MAX LOAD: SEE TABLE

TSR20/5

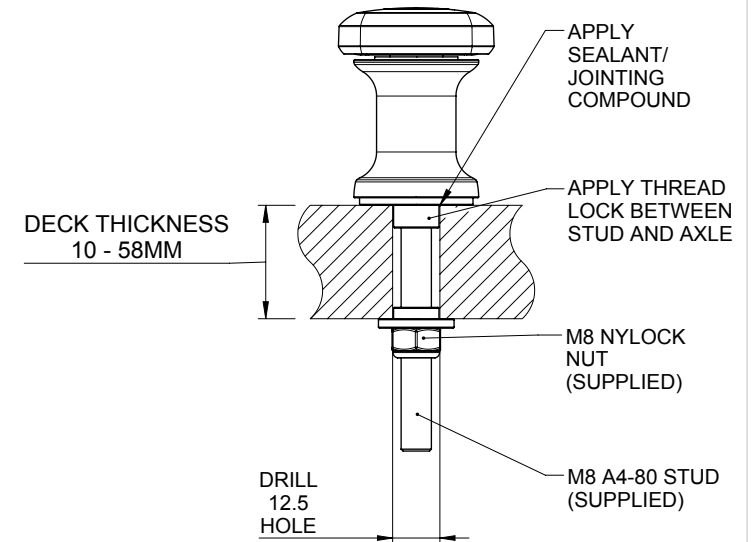
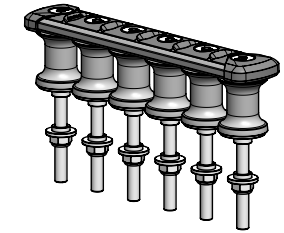
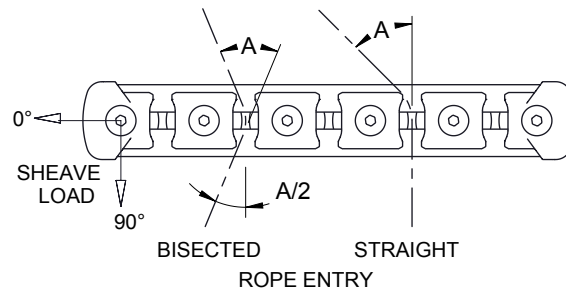


MAXIMUM SHEAVE LOADS:

LONGITUDINAL (0°)	1500kg
TRANSVERSE (90°)	1050kg
COMBINED	4500kg

MAX ROPE TENSION (kg)

DEFLECTION ANGLE 'A' (°)	BISECTED ENTRY	STRAIGHT ENTRY
15	5750	5650
30	2900	2710
45	1960	1690
60	1500	1180
90	1060	740



SHEAVE SPACING:

STANDARD SHEAVE SPACING SHOWN.
CUSTOM SPACING AVAILABLE IN 1.0MM INCREMENTS.

WEIGHT:

956g (INCLUDING FULL LENGTH STAINLESS STEEL DECK FIXINGS)
TITANIUM OPTION AVAILABLE (644g) - CONTACT SPINLOCK FOR MORE INFORMATION.

INSTALLATION:

MOUNTING SURFACE MUST BE SUFFICIENTLY STRONG AND STIFF TO WITHSTAND COMPRESSIVE AND SHEAR FORCES EXERTED BY SHEAVE LOADING

spinlock
BE ADVENTURE-PROOF



WARNING:
IF USING AS TEMPLATE, ENSURE PRINTER SETTINGS ARE ADJUSTED TO ACCOUNT FOR THE DRAWING SCALE AND **ALWAYS** CHECK DIMENSIONS.



COPYRIGHT:
THIS DRAWING IS PROTECTED BY COPYRIGHT. ANY USE IS FORBIDDEN WITHOUT THE WRITTEN CONSENT OF SPINLOCK.

ALL DIMENSIONS IN MM

SCALE

1:2

PAGE SIZE
(297 x 210)

A4

DATE:

OCT17

LINE SIZE:

Ø15 MAX

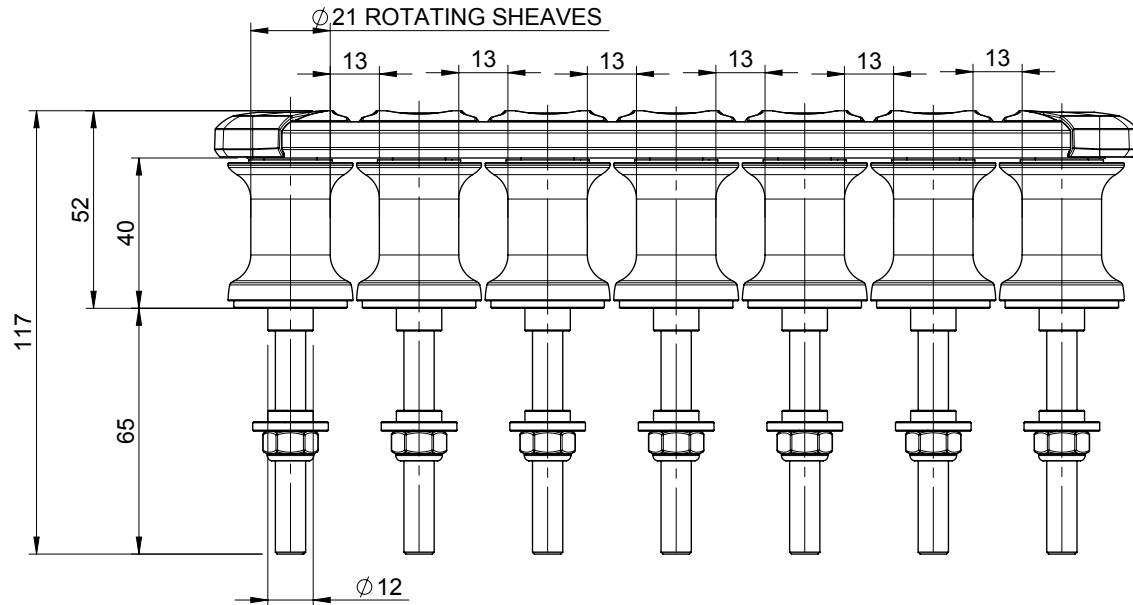
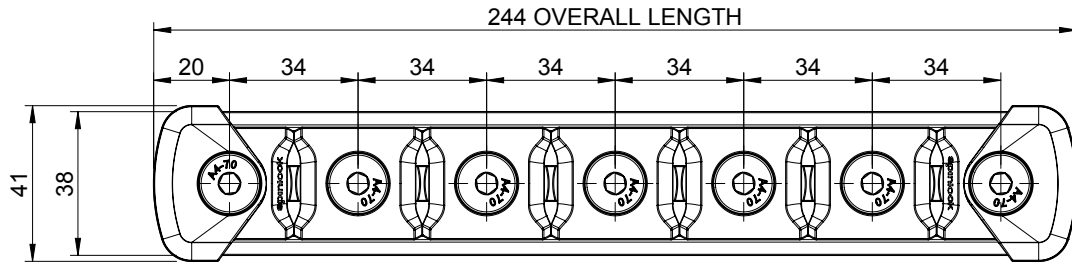
FASTENERS:

6 x M8

MAX LOAD:

SEE TABLE

TSR20/6

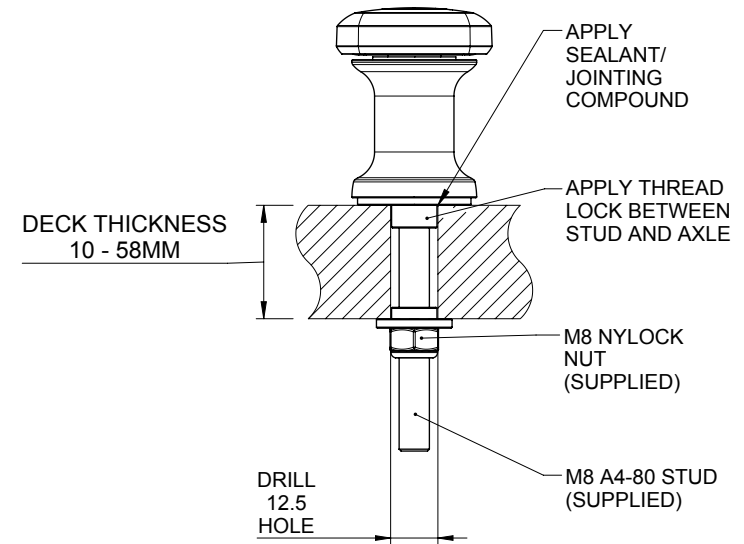
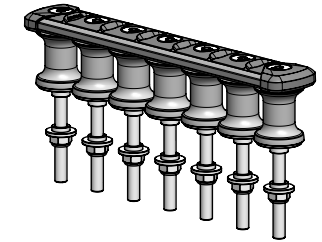
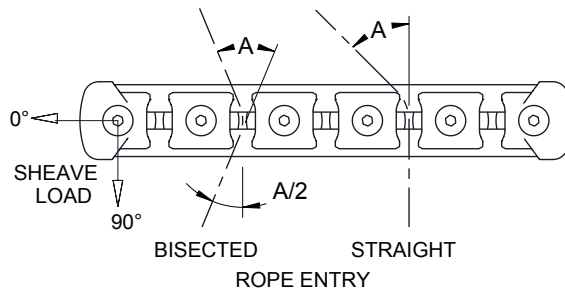


MAXIMUM SHEAVE LOADS:

LONGITUDINAL (0°)	1500kg
TRANSVERSE (90°)	1050kg
COMBINED	5250kg

MAX ROPE TENSION (kg)

DEFLECTION ANGLE 'A' (°)	BISECTED ENTRY	STRAIGHT ENTRY
15	5750	5650
30	2900	2710
45	1960	1690
60	1500	1180
90	1060	740



SHEAVE SPACING:

STANDARD SHEAVE SPACING SHOWN.
CUSTOM SPACING AVAILABLE IN 1.0MM INCREMENTS.

WEIGHT:

1115g (INCLUDING FULL LENGTH STAINLESS STEEL DECK FIXINGS)
TITANIUM OPTION AVAILABLE (751g) - CONTACT SPINLOCK FOR MORE INFORMATION.

INSTALLATION:

MOUNTING SURFACE MUST BE SUFFICIENTLY STRONG AND STIFF TO WITHSTAND COMPRESSIVE AND SHEAR FORCES EXERTED BY SHEAVE LOADING

spinlock
BE ADVENTURE-PROOF



WARNING:
IF USING AS TEMPLATE, ENSURE PRINTER SETTINGS ARE ADJUSTED TO ACCOUNT FOR THE DRAWING SCALE AND **ALWAYS** CHECK DIMENSIONS.



COPYRIGHT:
THIS DRAWING IS PROTECTED BY COPYRIGHT. ANY USE IS FORBIDDEN WITHOUT THE WRITTEN CONSENT OF SPINLOCK.

ALL DIMENSIONS IN MM

SCALE

1:2

PAGE SIZE
(297 x 210)

A4

DATE:

OCT17

LINE SIZE:

Ø15 MAX

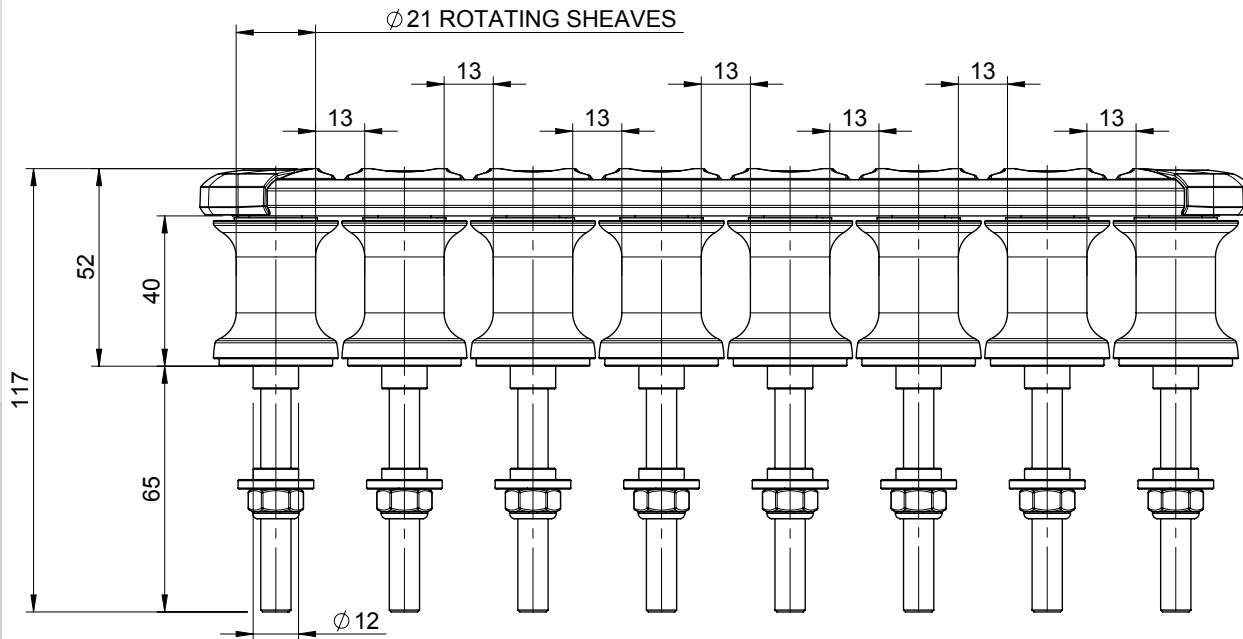
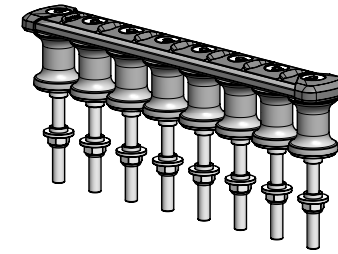
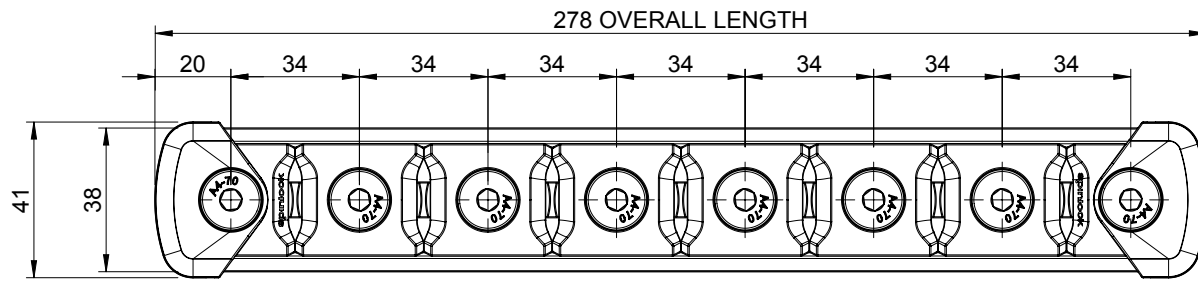
FASTENERS:

7 x M8

MAX LOAD:

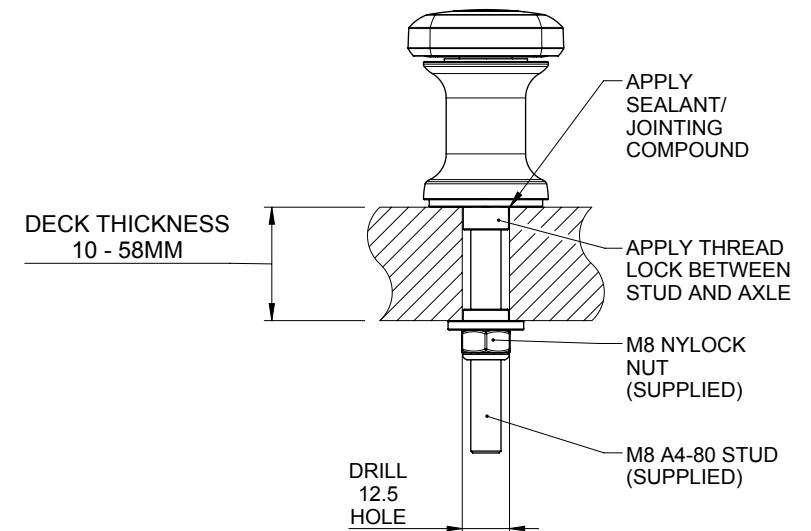
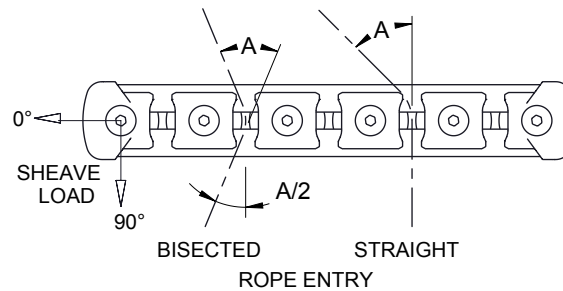
SEE TABLE

TSR20/7



MAXIMUM SHEAVE LOADS:
 LONGITUDINAL (0°) 1500kg
 TRANSVERSE (90°) 1050kg
 COMBINED 6000kg

MAX ROPE TENSION (kg)		
DEFLECTION	BISECTED ENTRY	STRAIGHT ENTRY
ANGLE 'A' (°)		
15	5750	5650
30	2900	2710
45	1960	1690
60	1500	1180
90	1060	740



SHEAVE SPACING:
 STANDARD SHEAVE SPACING SHOWN.
 CUSTOM SPACING AVAILABLE IN 1.0MM INCREMENTS.

WEIGHT:
 1274g (INCLUDING FULL LENGTH STAINLESS STEEL DECK FIXINGS)
 TITANIUM OPTION AVAILABLE (858g) - CONTACT SPINLOCK FOR MORE INFORMATION.

INSTALLATION:
 MOUNTING SURFACE MUST BE SUFFICIENTLY STRONG AND STIFF TO WITHSTAND COMPRESSIVE AND SHEAR FORCES EXERTED BY SHEAVE LOADING

spinlock
 BE ADVENTURE-PROOF

WARNING:
 IF USING AS TEMPLATE, ENSURE PRINTER SETTINGS ARE ADJUSTED TO ACCOUNT FOR THE DRAWING SCALE AND ALWAYS CHECK DIMENSIONS.
COPYRIGHT:
 THIS DRAWING IS PROTECTED BY COPYRIGHT. ANY USE IS FORBIDDEN WITHOUT THE WRITTEN CONSENT OF SPINLOCK.

ALL DIMENSIONS IN MM

SCALE

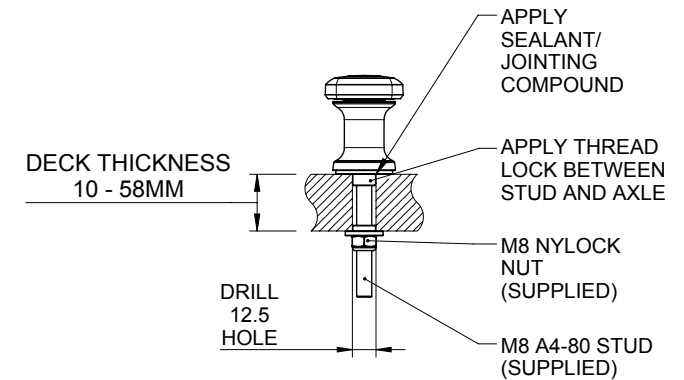
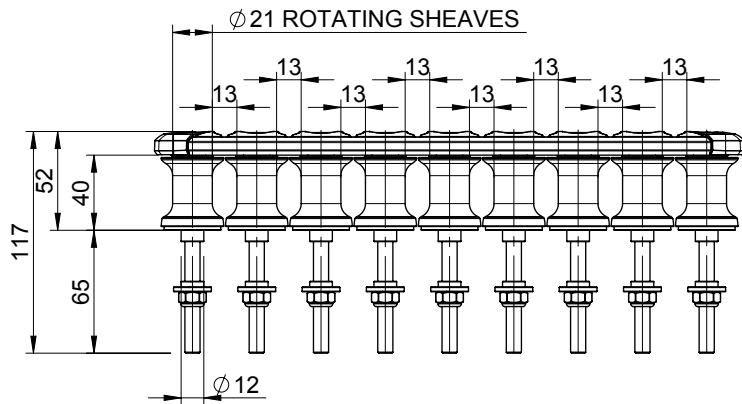
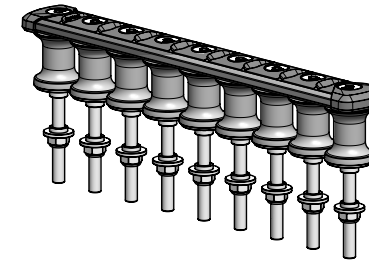
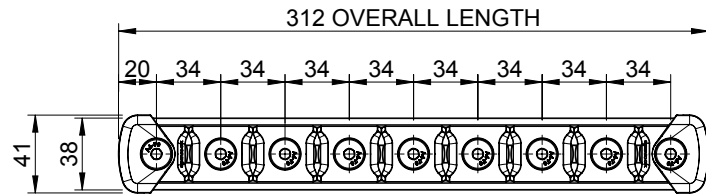
1:2

PAGE SIZE
 (297 x 210)

A4

DATE:	OCT17
LINE SIZE:	Ø13 MAX
FASTENERS:	8 x M8
MAX LOAD:	SEE TABLE

TSR20/8

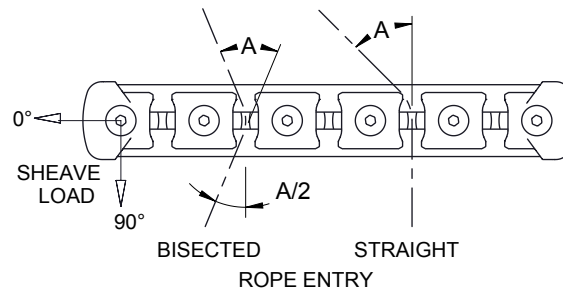


MAXIMUM SHEAVE LOADS:

LONGITUDINAL (0°)	1500kg
TRANSVERSE (90°)	1050kg
COMBINED	6750kg

MAX ROPE TENSION (kg)

DEFLECTION ANGLE 'A' (°)	BISECTED ENTRY	STRAIGHT ENTRY
15	5750	5650
30	2900	2710
45	1960	1690
60	1500	1180
90	1060	740



SHEAVE SPACING:

STANDARD SHEAVE SPACING SHOWN.
CUSTOM SPACING AVAILABLE IN 1.0MM INCREMENTS.

WEIGHT:

1433g (INCLUDING FULL LENGTH STAINLESS STEEL DECK FIXINGS)
TITANIUM OPTION AVAILABLE (966g) - CONTACT SPINLOCK FOR MORE INFORMATION.

INSTALLATION:

MOUNTING SURFACE MUST BE SUFFICIENTLY STRONG AND STIFF TO WITHSTAND COMPRESSIVE AND SHEAR FORCES EXERTED BY SHEAVE LOADING

spinlock
BE ADVENTURE-PROOF



WARNING:
IF USING AS TEMPLATE, ENSURE PRINTER SETTINGS ARE ADJUSTED TO ACCOUNT FOR THE DRAWING SCALE AND **ALWAYS** CHECK DIMENSIONS.



COPYRIGHT:
THIS DRAWING IS PROTECTED BY COPYRIGHT. ANY USE IS FORBIDDEN WITHOUT THE WRITTEN CONSENT OF SPINLOCK.

ALL DIMENSIONS IN MM

SCALE

1:4

PAGE SIZE
(297 x 210)

A4

DATE:

OCT17

LINE SIZE:

Ø13 MAX

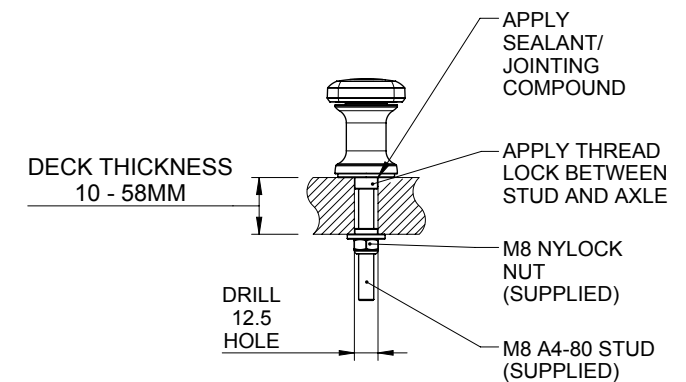
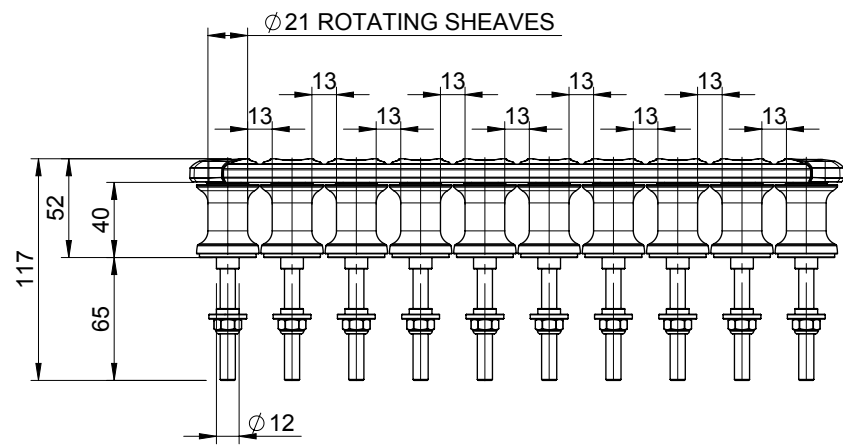
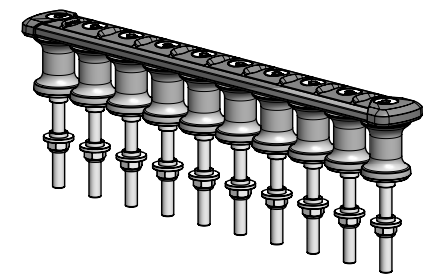
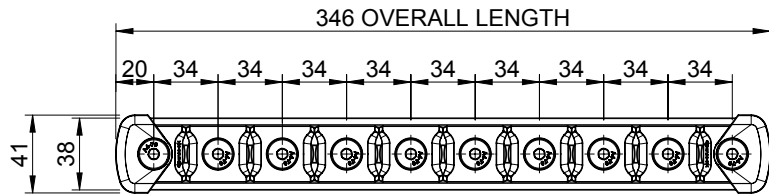
FASTENERS:

9 x M8

MAX LOAD:

SEE TABLE

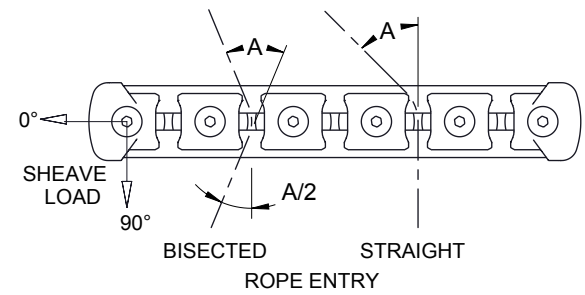
TSR20/9



MAXIMUM SHEAVE LOADS:
 LONGITUDINAL (0°) 1500kg
 TRANSVERSE (90°) 1050kg
 COMBINED 7500kg

MAX ROPE TENSION (kg)

DEFLECTION ANGLE 'A' (°)	BISECTED ENTRY	STRAIGHT ENTRY
15	5750	5650
30	2900	2710
45	1960	1690
60	1500	1180
90	1060	740



SHEAVE SPACING:
 STANDARD SHEAVE SPACING SHOWN.
 CUSTOM SPACING AVAILABLE IN 1.0MM INCREMENTS.

WEIGHT:
 1592g (INCLUDING FULL LENGTH STAINLESS STEEL DECK FIXINGS)
 TITANIUM OPTION AVAILABLE (1073g) - CONTACT SPINLOCK FOR MORE INFORMATION.

INSTALLATION:
 MOUNTING SURFACE MUST BE SUFFICIENTLY STRONG AND STIFF TO WITHSTAND COMPRESSIVE AND SHEAR FORCES EXERTED BY SHEAVE LOADING

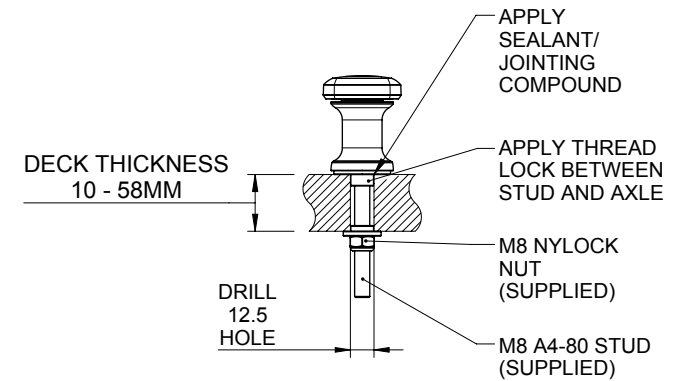
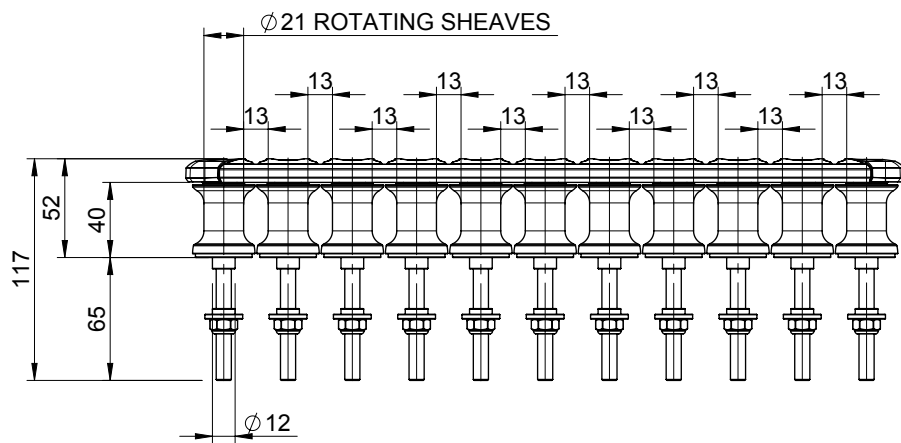
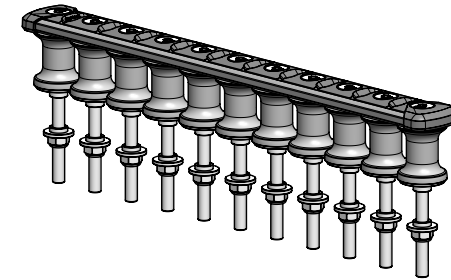
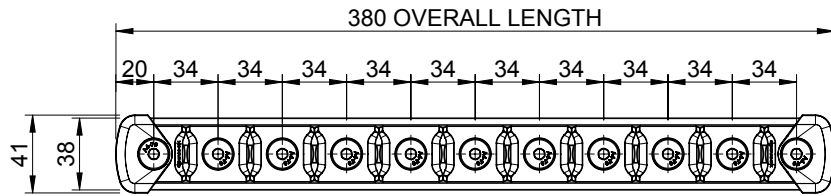
spinlock
 BE ADVENTURE-PROOF

WARNING:
 IF USING AS TEMPLATE, ENSURE PRINTER SETTINGS ARE ADJUSTED TO ACCOUNT FOR THE DRAWING SCALE AND **ALWAYS** CHECK DIMENSIONS.
COPYRIGHT:
 THIS DRAWING IS PROTECTED BY COPYRIGHT. ANY USE IS FORBIDDEN WITHOUT THE WRITTEN CONSENT OF SPINLOCK.

ALL DIMENSIONS IN MM
 SCALE 1:4
 PAGE SIZE (297 x 210)
 A4

DATE:	OCT17
LINE SIZE:	Ø13 MAX
FASTENERS:	10 x M8
MAX LOAD:	SEE TABLE

TSR20/10

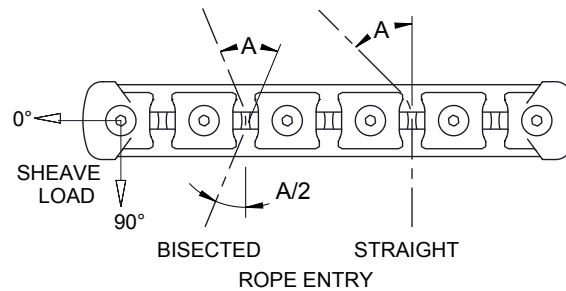


MAXIMUM SHEAVE LOADS:

LONGITUDINAL (0°)	1500kg
TRANSVERSE (90°)	1050kg
COMBINED	8250kg

MAX ROPE TENSION (kg)

DEFLECTION ANGLE 'A' (°)	BISECTED ENTRY	STRAIGHT ENTRY
15	5750	5650
30	2900	2710
45	1960	1690
60	1500	1180
90	1060	740



SHEAVE SPACING:

STANDARD SHEAVE SPACING SHOWN.
CUSTOM SPACING AVAILABLE IN 1.0MM INCREMENTS.

WEIGHT:

1752g (INCLUDING FULL LENGTH STAINLESS STEEL DECK FIXINGS)
TITANIUM OPTION AVAILABLE (1180g) - CONTACT SPINLOCK FOR MORE INFORMATION.

INSTALLATION:

MOUNTING SURFACE MUST BE SUFFICIENTLY STRONG AND STIFF TO WITHSTAND COMPRESSIVE AND SHEAR FORCES EXERTED BY SHEAVE LOADING

spinlock
BE ADVENTURE-PROOF



WARNING:
IF USING AS TEMPLATE, ENSURE PRINTER SETTINGS ARE ADJUSTED TO ACCOUNT FOR THE DRAWING SCALE AND **ALWAYS** CHECK DIMENSIONS.



COPYRIGHT:
THIS DRAWING IS PROTECTED BY COPYRIGHT. ANY USE IS FORBIDDEN WITHOUT THE WRITTEN CONSENT OF SPINLOCK.

ALL DIMENSIONS IN MM

SCALE

1:4

PAGE SIZE
(297 x 210)

A4

DATE:

OCT17

LINE SIZE:

Ø13 MAX

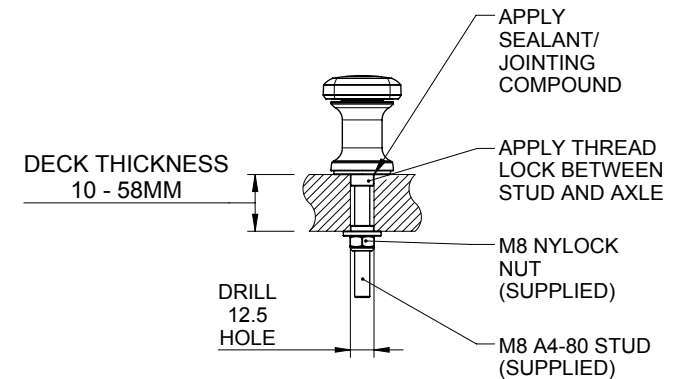
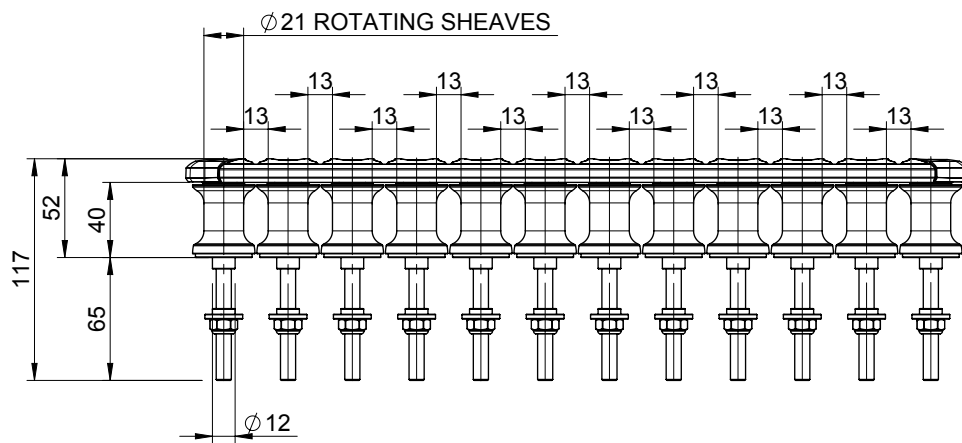
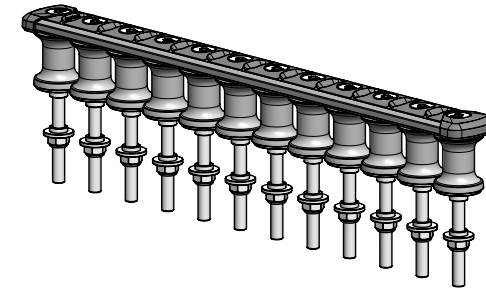
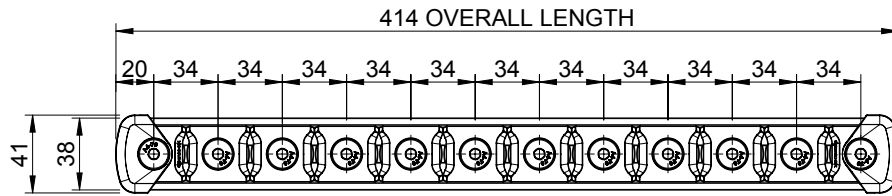
FASTENERS:

11 x M8

MAX LOAD:

SEE TABLE

TSR20/11

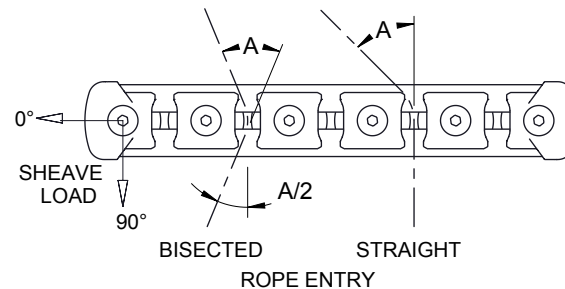


MAXIMUM SHEAVE LOADS:

LONGITUDINAL (0°)	1500kg
TRANSVERSE (90°)	1050kg
COMBINED	9000kg

MAX ROPE TENSION (kg)

DEFLECTION ANGLE 'A' (°)	BISECTED ENTRY	STRAIGHT ENTRY
15	5750	5650
30	2900	2710
45	1960	1690
60	1500	1180
90	1060	740



SHEAVE SPACING:

STANDARD SHEAVE SPACING SHOWN.
CUSTOM SPACING AVAILABLE IN 1.0MM INCREMENTS.

WEIGHT:

1911g (INCLUDING FULL LENGTH STAINLESS STEEL DECK FIXINGS)
TITANIUM OPTION AVAILABLE (1287g) - CONTACT SPINLOCK FOR MORE INFORMATION.

INSTALLATION:

MOUNTING SURFACE MUST BE SUFFICIENTLY STRONG AND STIFF TO WITHSTAND COMPRESSIVE AND SHEAR FORCES EXERTED BY SHEAVE LOADING

spinlock
BE ADVENTURE-PROOF



WARNING:
IF USING AS TEMPLATE, ENSURE PRINTER SETTINGS ARE ADJUSTED TO ACCOUNT FOR THE DRAWING SCALE AND **ALWAYS** CHECK DIMENSIONS.



COPYRIGHT:
THIS DRAWING IS PROTECTED BY COPYRIGHT. ANY USE IS FORBIDDEN WITHOUT THE WRITTEN CONSENT OF SPINLOCK.

ALL DIMENSIONS IN MM

SCALE

1:4

PAGE SIZE
(297 x 210)

A4

DATE:

OCT17

LINE SIZE:

Ø13 MAX

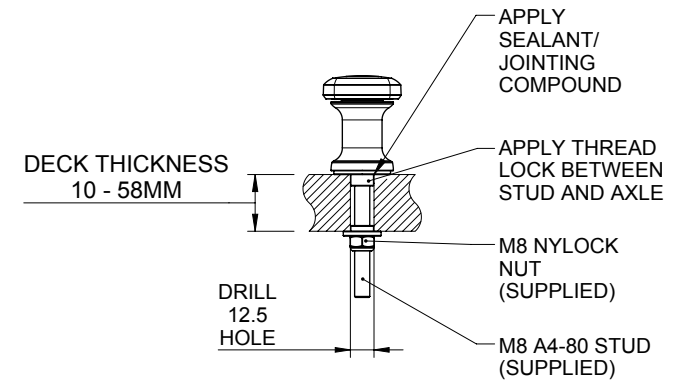
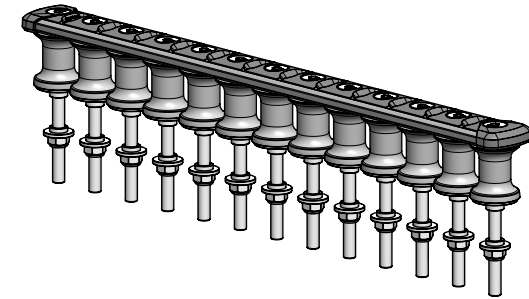
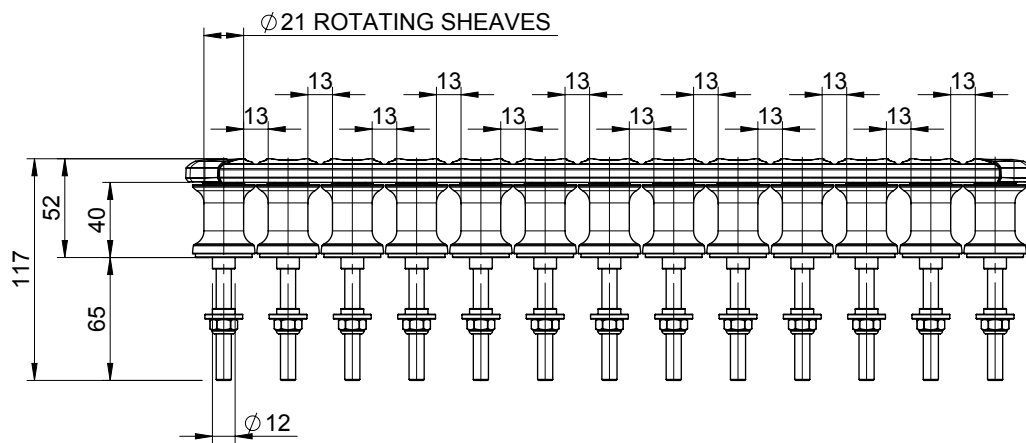
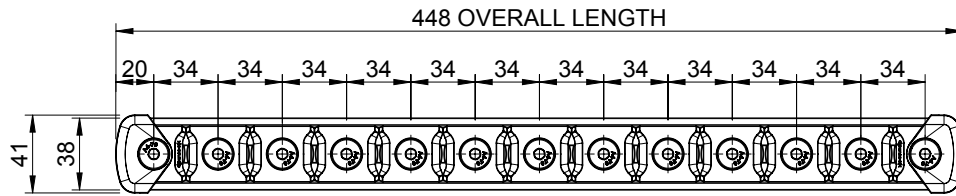
FASTENERS:

12 x M8

MAX LOAD:

SEE TABLE

TSR20/12

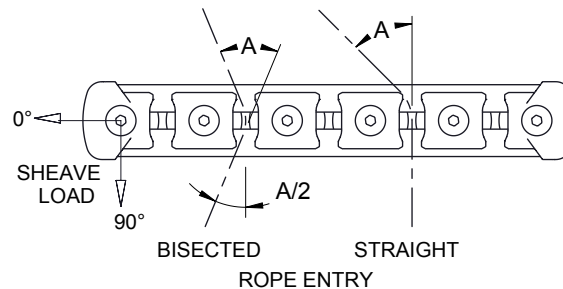


MAXIMUM SHEAVE LOADS:

LONGITUDINAL (0°)	1500kg
TRANSVERSE (90°)	1050kg
COMBINED	9750kg

MAX ROPE TENSION (kg)

DEFLECTION ANGLE 'A' (°)	BISECTED ENTRY	STRAIGHT ENTRY
15	5750	5650
30	2900	2710
45	1960	1690
60	1500	1180
90	1060	740



SHEAVE SPACING:

STANDARD SHEAVE SPACING SHOWN.
CUSTOM SPACING AVAILABLE IN 1.0MM INCREMENTS.

WEIGHT:

2070g (INCLUDING FULL LENGTH STAINLESS STEEL DECK FIXINGS)
TITANIUM OPTION AVAILABLE (1395g) - CONTACT SPINLOCK FOR MORE INFORMATION.

INSTALLATION:

MOUNTING SURFACE MUST BE SUFFICIENTLY STRONG AND STIFF TO WITHSTAND COMPRESSIVE AND SHEAR FORCES EXERTED BY SHEAVE LOADING

spinlock
BE ADVENTURE-PROOF



WARNING:
IF USING AS TEMPLATE, ENSURE PRINTER SETTINGS ARE ADJUSTED TO ACCOUNT FOR THE DRAWING SCALE AND **ALWAYS** CHECK DIMENSIONS.



COPYRIGHT:
THIS DRAWING IS PROTECTED BY COPYRIGHT. ANY USE IS FORBIDDEN WITHOUT THE WRITTEN CONSENT OF SPINLOCK.

ALL DIMENSIONS IN MM

SCALE

1:4

PAGE SIZE
(297 x 210)

A4

DATE:

OCT17

LINE SIZE:

Ø13 MAX

FASTENERS:

13 x M8

MAX LOAD:

SEE TABLE

TSR20/13