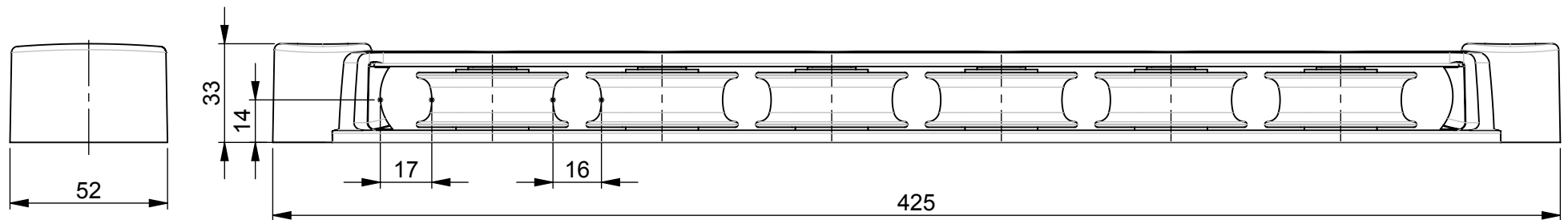
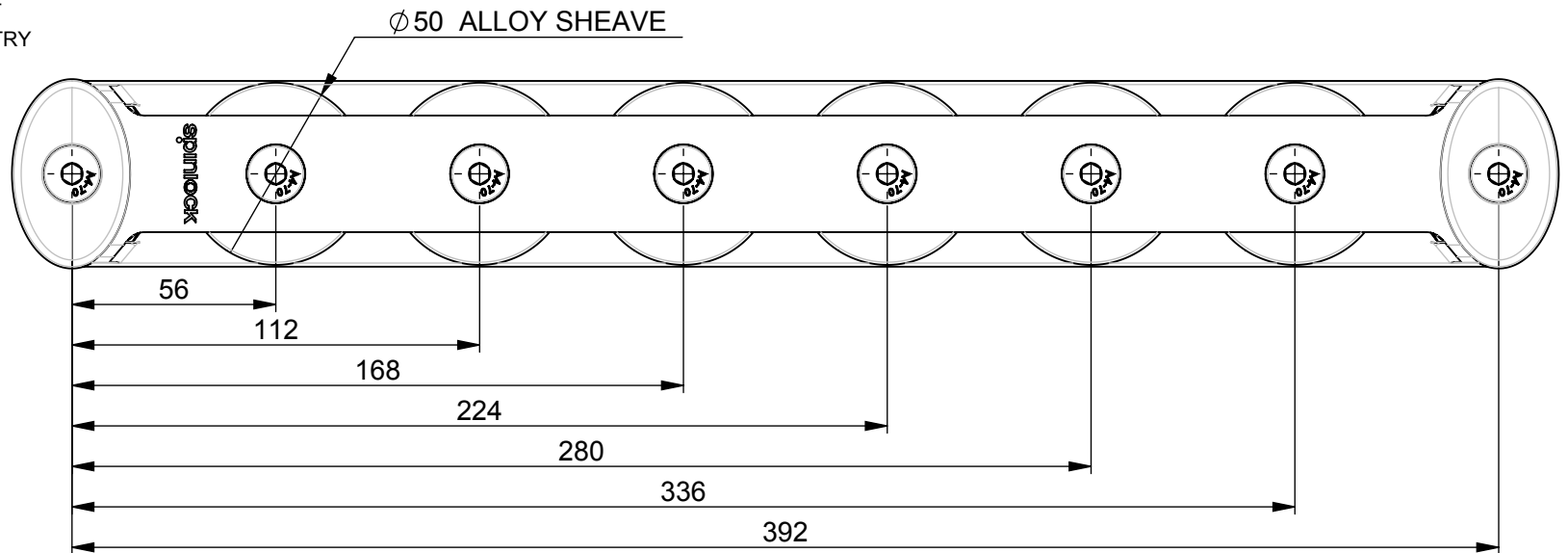


DEFLECTION ANGLE, 'A' (°)	MAX TENSION (kg)
10	8610
15	5750
30	2900
45	1960
60	1500
90	1060



**spinlock**  
BE ADVENTURE-PROOF



**WARNING:**  
IF USING AS A DRILL TEMPLATE, ENSURE PRINTER SETTINGS ARE ADJUSTED TO ACCOUNT FOR THE DRAWING SCALE AND **ALWAYS** CHECK DIMENSIONS BEFORE DRILLING.



**COPYRIGHT:**  
THIS DRAWING IS PROTECTED BY COPYRIGHT. ANY USE IS FORBIDDEN WITHOUT THE WRITTEN CONSENT OF SPINLOCK.

ALL DIMENSIONS IN MM

SCALE	PAGE SIZE	DATE
1:2	A4	APR 2018

MAX LINE SIZE	FASTENERS	WEIGHT	SWL PER SHAVE	TOTAL SWL PER UNIT
Ø 14mm	M8 CSK x 8	1250g	1500kg	4500kg

**TC50/6**

FOR MORE INFO CONTACT  
SPT@SPINLOCK.CO.UK