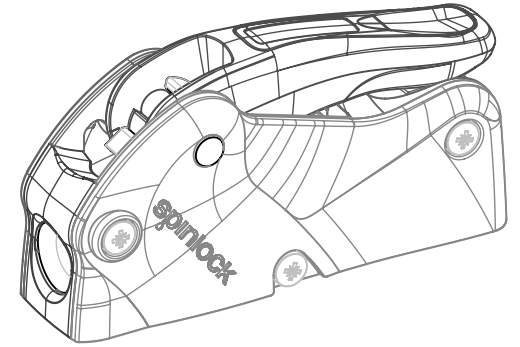
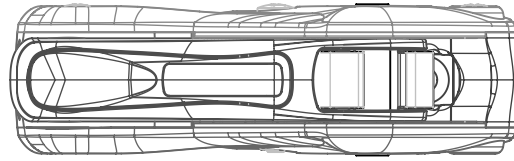
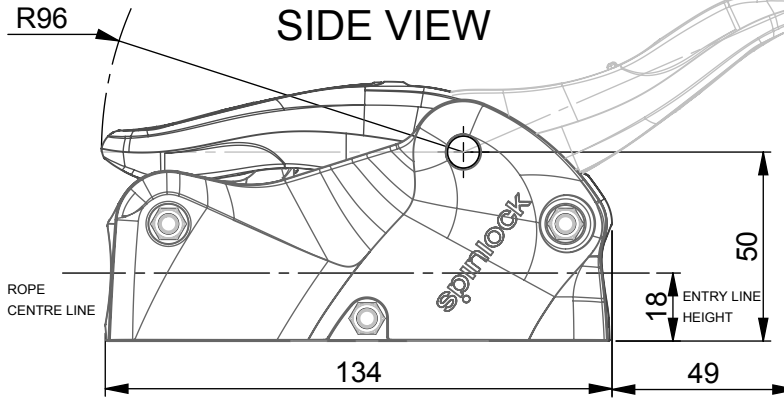
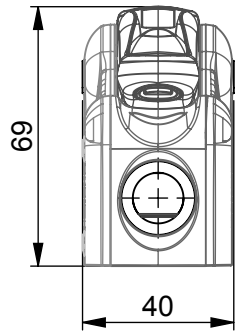


### TOP VIEW

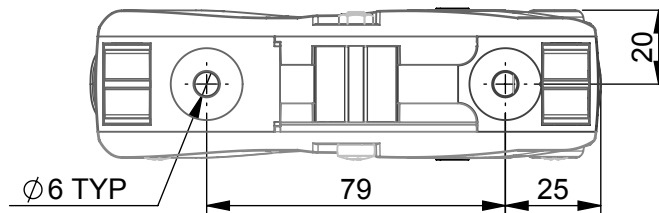


### REAR VIEW



ALLOW SUFFICIENT SPACE FRO HANDLE ROTATION.

### BOTTOM VIEW



**spinlock**  
BE ADVENTURE-PROOF



**WARNING:**  
IF USING AS A DRILL TEMPLATE, ENSURE PRINTER SETTINGS ARE ADJUSTED TO ACCOUNT FOR THE DRAWING SCALE AND **ALWAYS** CHECK DIMENSIONS BEFORE DRILLING.



**COPYRIGHT:**  
THIS DRAWING IS PROTECTED BY COPYRIGHT. ANY USE IS FORBIDDEN WITHOUT THE WRITTEN CONSENT OF SPINLOCK.

ALL DIMENSIONS IN MM

SCALE PAGE SIZE DATE

1:2

A4

FEB 2018

WEIGHT  
282g

FASTENERS  
M6 CSK  
x 2

PRODUCT CODE

XAS0408/1

XAS0612/1

LINE SIZE

4-8mm

6-12mm

MAX LOAD

450kg

575kg

# XAS/1

FOR MORE INFO CONTACT [SPT@SPINLOCK.CO.UK](mailto:SPT@SPINLOCK.CO.UK)