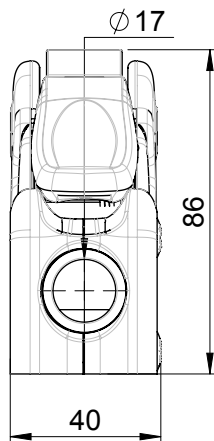
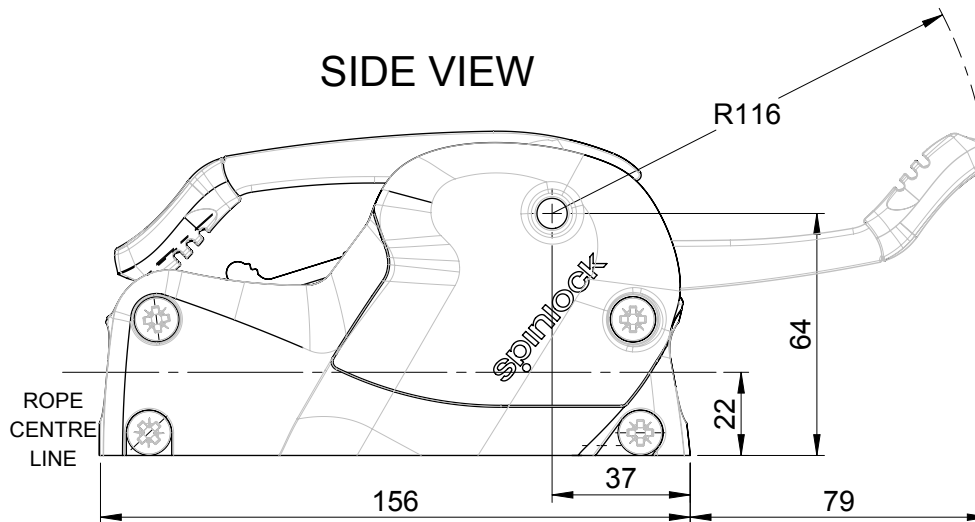


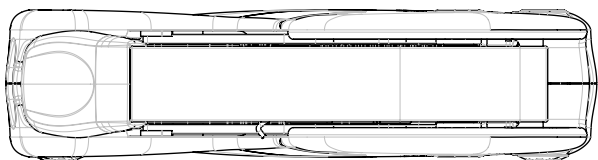
REAR VIEW



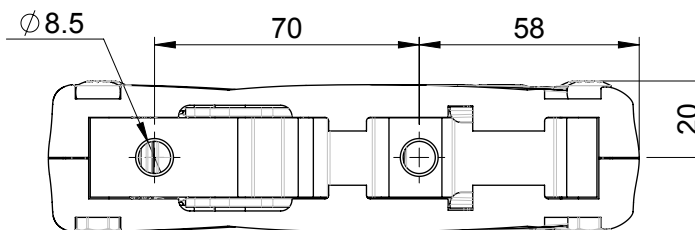
SIDE VIEW



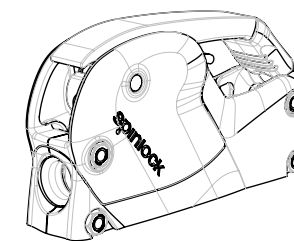
ALLOW FOR SUFFICIENT SPACE FOR HANDLE ROTATION.



TOP VIEW



BOTTOM VIEW



spinlock
BE ADVENTURE-PROOF



WARNING:
IF USING AS A DRILL TEMPLATE, ENSURE PRINTER SETTINGS ARE ADJUSTED TO ACCOUNT FOR THE DRAWING SCALE AND **ALWAYS** CHECK DIMENSIONS BEFORE DRILLING.



COPYRIGHT:
THIS DRAWING IS PROTECTED BY COPYRIGHT. ANY USE IS FORBIDDEN WITHOUT THE WRITTEN CONSENT OF SPINLOCK.

ALL DIMENSIONS IN MM

SCALE PAGE SIZE DATE

1:2 A4 FEB 2018

WEIGHT
550g

FASTENERS
M8 CSK
x 2

PRODUCT CODE

XTS0610/1

XTS0814/1

LINE SIZE

6-10mm

8-14mm

MAX LOAD

700kg

1000kg

XTS/1

FOR MORE INFO CONTACT SPT@SPINLOCK.CO.UK