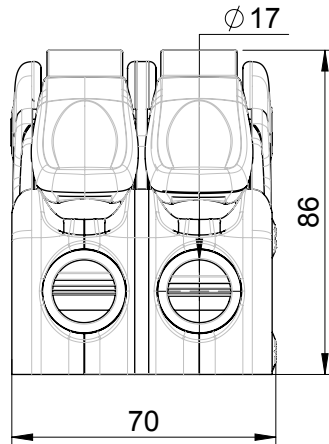
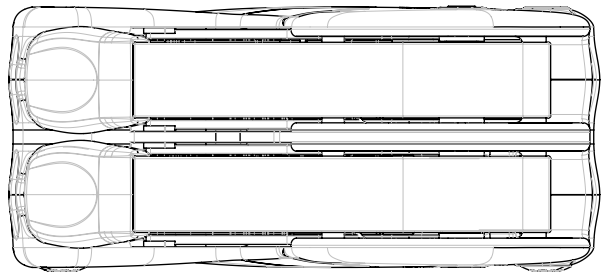
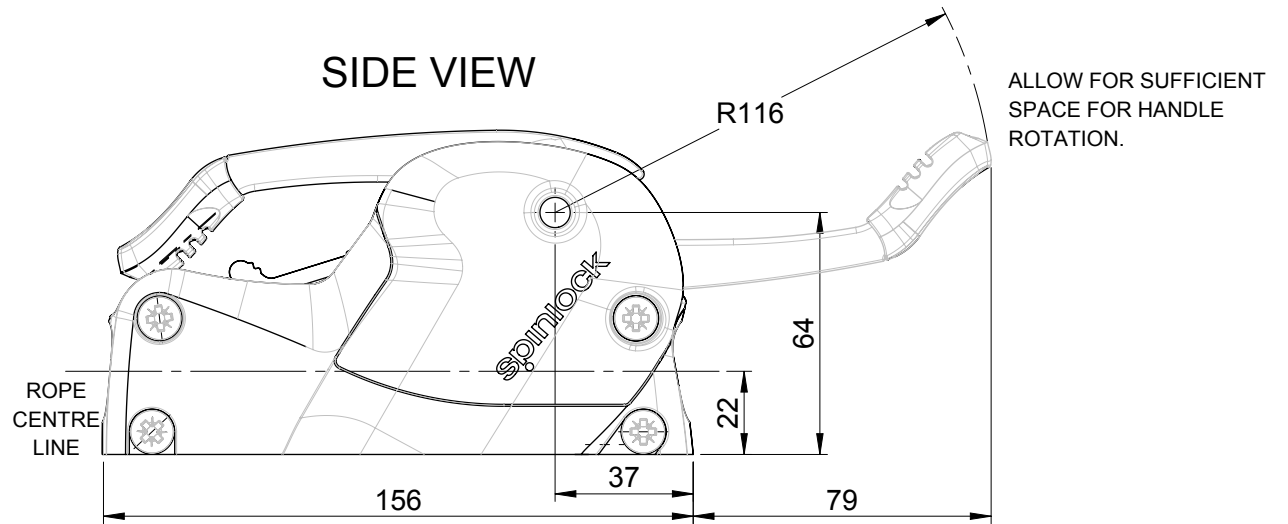


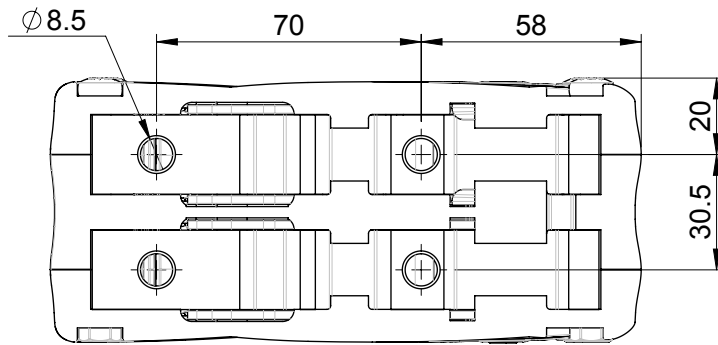
REAR VIEW



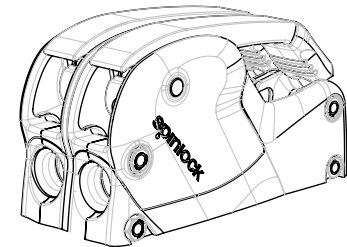
SIDE VIEW



TOP VIEW



BOTTOM VIEW



spinlock
BE ADVENTURE-PROOF



WARNING:
IF USING AS A DRILL TEMPLATE, ENSURE PRINTER SETTINGS ARE ADJUSTED TO ACCOUNT FOR THE DRAWING SCALE AND **ALWAYS** CHECK DIMENSIONS BEFORE DRILLING.



COPYRIGHT:
THIS DRAWING IS PROTECTED BY COPYRIGHT. ANY USE IS FORBIDDEN WITHOUT THE WRITTEN CONSENT OF SPINLOCK.

ALL DIMENSIONS IN MM

SCALE	PAGE SIZE	DATE
1:2	A4	FEB 2018

WEIGHT
1050g

FASTENERS
M8 CSK
x 4

PRODUCT CODE	LINE SIZE	MAX LOAD
XTS0610/2	6-10mm	700kg
XTS0814/2	8-14mm	1000kg

XTTS/2

FOR MORE INFO CONTACT SPT@SPINLOCK.CO.UK